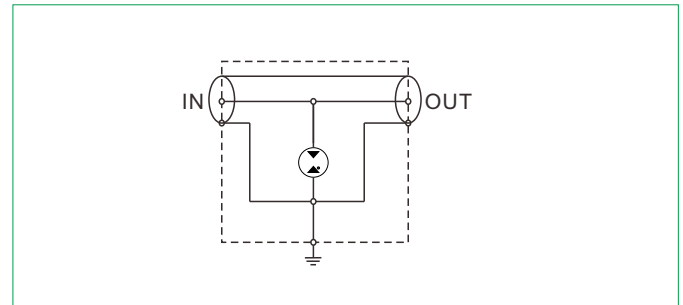
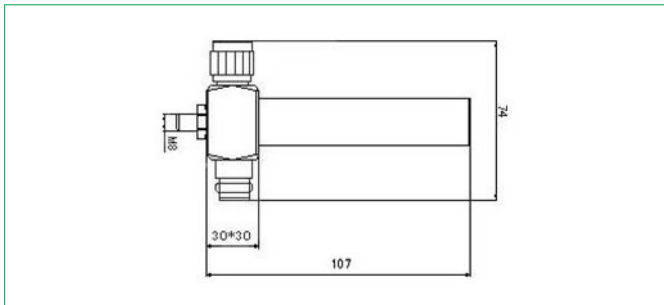


FA-N-***/***-L



- ◆ FA-N-***/***-L ($\lambda/4$) type antenna surge protective device are designed for protection of antenna coaxial device, receive/transmit system, microwave communication, broadcast television, navigation communication etc.
- ◆ High discharge capacity, low residual voltage.
- ◆ Material brass.
- ◆ Interface port: coaxial (N)



Model No.	FA-N-900/10-L	FA-N-1800/10-L
Type of Network	Signal transmission system	
Working frequency range	800-1000MHz	1700-1900MHz
Nominal discharge current $I_n(8/20\mu s)$	10kA	
D.C.spark-over voltage	90V	
Characteristics impedance	75Ω	
Max. transmission power	200W	
Insertion loss	≤0.2dB	
Voltage standing wave ratio	≤1.2	
Testing standard	IEC 61643-11:2000	
Operating temperature	-25°C~+70°C	
Storage temperature	-40°C~+85°C	
Relative humidity	≤95%	
Operating environment	Indoor or dry	
Interface port type	coaxial(N)	