

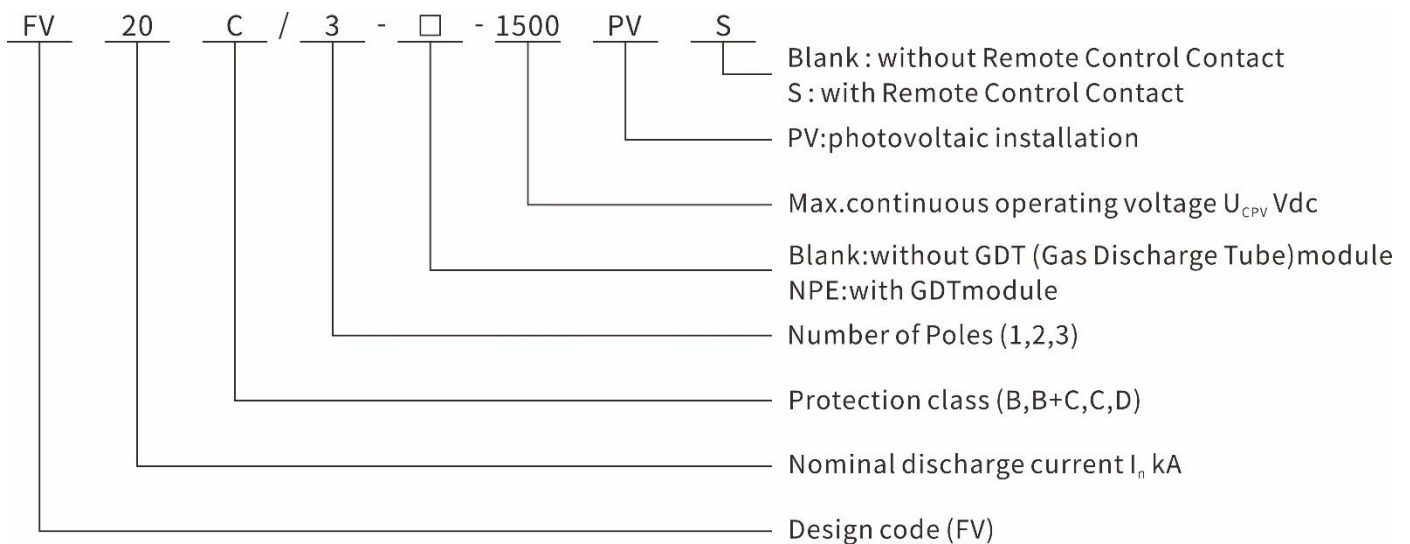
DC Surge protective device for PV system
Model No.: FV20C/3-1500PVS

Version: B-3

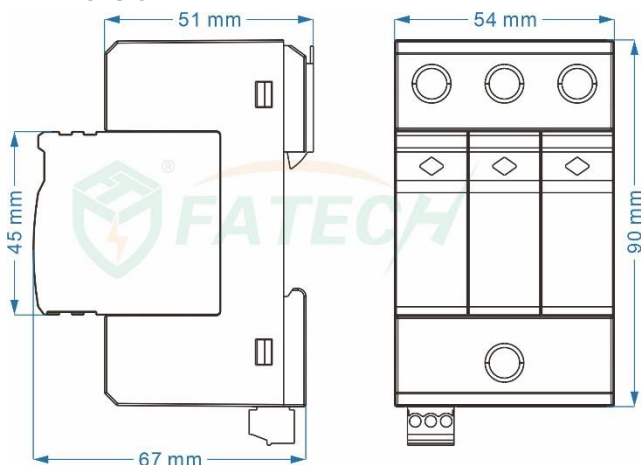


- **DC surge Protective device** specially used for photovoltaic system less than 1500Vdc.
- The core parts are metal oxide varistor components with high discharge capacity.
- With reliable control thanks to Thermo Dynamic Control disconnecter.
- With remote signaling contact for control device.
- Fault indication via red mark in the inspection window.

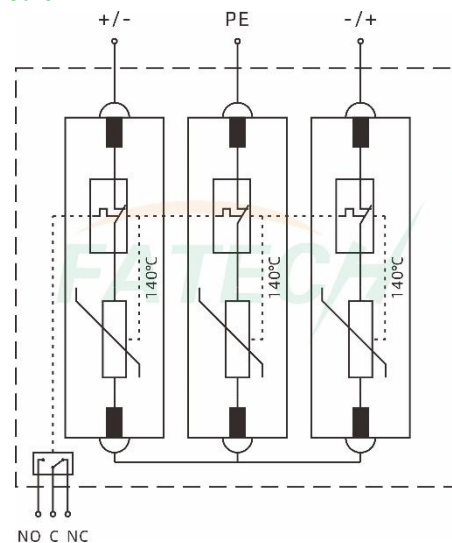
1.Coding



2. Dimension



3. Circuit



FATECH ELECTRONIC (FOSHAN) CO., LTD.

Add: Bldg D7, Guangdong New Light Production Base, Luocun, Shishan Town, Nanhai District, Foshan City, Guangdong China.

Tel: +86 757 86718031 Fax: +86 757 83557686

Web: www.fatech-surge-protection.com, www.fatech-spdcn.com

Email: sales@fatech-surge-protection.com, sales@fatech-spdcn.com

4. Electrical parameters

Model. No.	FV20C/3-1500PVS
SPD protection conforms to EN50539-11/IEC61643-31	Type 2
SPD installation type conforms to EN50539-11/IEC61643-31	Class II
Protection level conforms to DIN VDE0675-6	C
Type of Network	Photovoltaic systems DC side
Protection mode	(+/-)-PE , (-/+)-PE , (+/-)-(-/+)
Nominal Voltage U_N	1500 Vdc
Maximum continuous operating voltage for PV application U_{CPV}	1600 Vdc
Continuous operating current I_{CPV}	<20 μ A
Residual current I_{PE}	$\leq 20 \mu$ A dc $\leq 500 \mu$ A ac
Standby power consumption P_C	≤ 25 mVA
Maximum discharge current (8/20 μ s) I_{max}	40 kA
Nominal discharge current (8/20 μ s) I_n	20 kA
Short-circuit current rating I_{scpv}	10 kA
Voltage protection level U_p	≤ 5.0 kV
Isolation resistance R_{isol}	> 1000 M Ω
Response time t_A	≤ 25 ns
Remote control contact	YES
Disconnection indicator	Mechanical indicator (Green: OK, Red: Replace)
Minimum area of connecting cable	4 mm ²
Maximum area of connecting cable	25 mm ²
Installation location	Inside
Mounting type	35mm DIN rail acc. to EN 60715
Color	Gray
Degree of protection	IP20
Housing material	UL94V-0
Ambient temperature	-40°C ~ +80°C
Altitude	≤ 2000 m (amsl (above mean sea level))
Permissible humidity	30%~90%

FATECH ELECTRONIC (FOSHAN) CO., LTD.

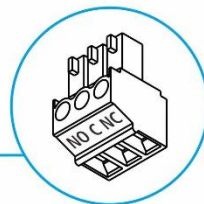
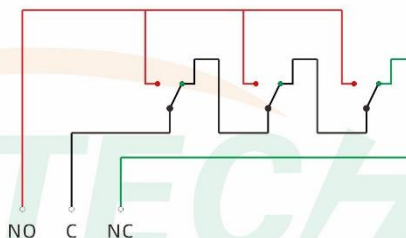
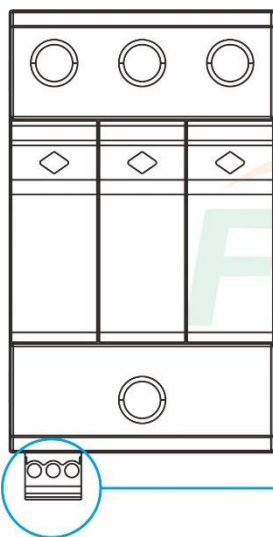
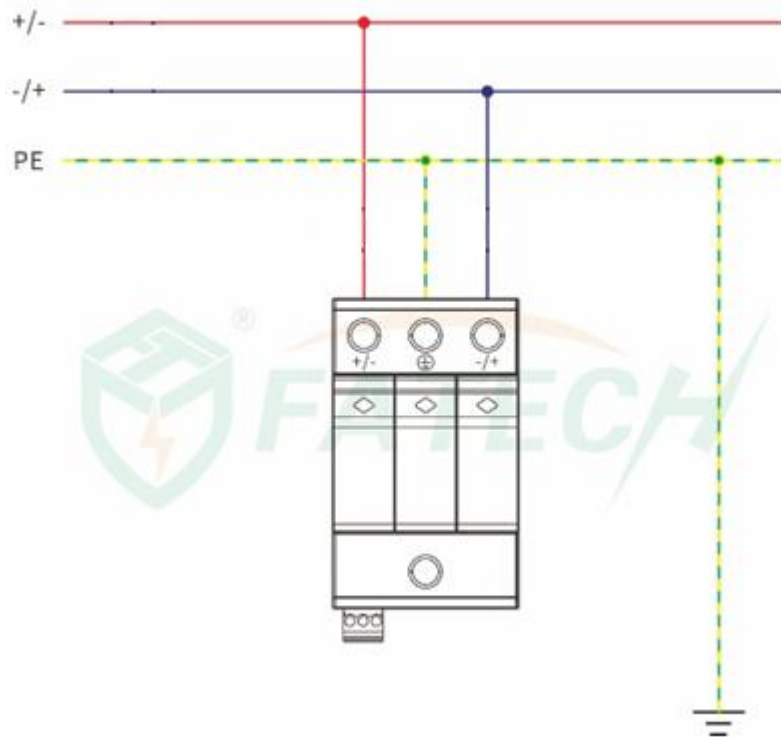
Add: Bldg D7, Guangdong New Light Production Base, Luocun, Shishan Town, Nanhai District, Foshan City, Guangdong China.

Tel: +86 757 86718031 Fax: +86 757 83557686

Web: www.fatech-surge-protection.com, www.fatech-spd.cn

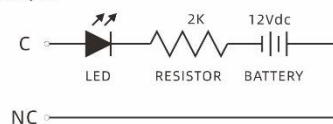
Email: sales@fatech-surge-protection.com, sales@fatech-spd.cn

5. Installation



Work : NC & C close
Defect : NO & C close

Example:



FATECH ELECTRONIC (FOSHAN) CO., LTD.

Add: Bldg D7, Guangdong New Light Production Base, Luocun, Shishan Town, Nanhai District, Foshan City, Guangdong China.

Tel: +86 757 86718031 Fax: +86 757 83557686

Web: www.fatech-surge-protection.com, www.fatech-spdcn.com

Email: sales@fatech-surge-protection.com, sales@fatech-spdcn.com