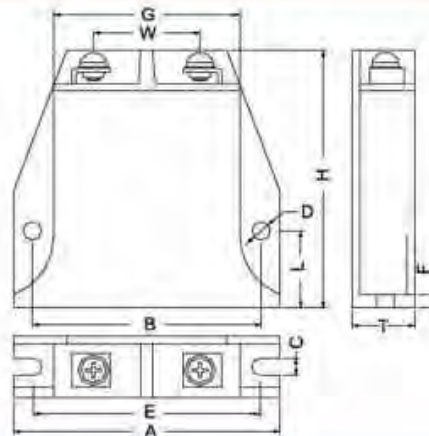


Type	Characteristics TA = +25°C					Maximum ratings T=+85°C				
	Varistor voltage	Tolerance	Clamping voltage at IP (8/20μs)		Capacitance (1kHz)	Max continuous operating voltage		Max energy absorption (2ms)	Peak current (8/20μs)	Max power rating
			Vn (V)	ΔVn (±%)		Vp (V)	Ip (A)			
B60-130	205	10	340	500	14000	130	170	490	70000	1.6
B60-140	220	10	360	500	11000	140	180	500	70000	1.6
B60-150	240	10	395	500	10000	150	200	570	70000	1.6
B60-175	270	10	455	500	10000	175	225	630	70000	1.6
B60-210	330	10	550	500	8500	210	275	670	70000	1.6
B60-230	360	10	595	500	7700	230	300	730	70000	1.6
B60-250	390	10	650	500	7100	250	320	800	70000	1.6
B60-275	430	10	710	500	6600	275	350	860	70000	1.6
B60-300	470	10	775	500	5900	300	385	910	70000	1.6
B60-320	510	10	840	300	5700	320	410	1000	70000	1.6
B60-350	560	10	915	500	5000	350	460	1045	70000	1.6
B60-385	620	10	1025	500	4600	385	505	1200	70000	1.6
B60-420	680	10	1120	500	4400	420	560	1500	70000	1.6
B60-460	750	10	1240	500	3900	460	615	1650	70000	1.6
B60-485	780	10	1290	500	3800	485	640	1248	70000	1.6
B60-510	820	10	1355	500	3500	510	670	1312	70000	1.6

Type	Characteristics TA = +25°C					Maximum ratings T=+85C				
	Varistor voltage	Tolerance	Clamping voltage at IP (8/20µs)		Capacitance (1kHz)	Max continuous operating voltage		Max energy absorption (2ms)	Peak current (8/20µs)	Max power rating
			Vn (V)	ΔVn (±%)		Vp (V)	Ip (A)			
B60-550	910	10	1500	500	3300	550	745	1500	70000	1.6
B60-580	950	10	1500	500	3100	580	760	1548	70000	1.6
B60-625	1000	10	1650	500	2900	625	825	1630	70000	1.6
B60-680	1100	10	1815	500	2700	680	895	1800	70000	1.6
B60-750	1200	10	2000	500	2400	750	970	2600	70000	1.6
B60-880	1400	10	2290	500	2100	880	1150	3200	70000	1.6
B60-900	1600	10	2700	500	1800	900	1200	3200	70000	1.6
B60-1000	1800	10	2940	500	2200	1000	1400	3800	70000	1.6
B60-1400	2200	10	3600	500	1800	1400	1750	5000	70000	1.6
B60-1700	2700	10	4300	500	1500	1700	2150	6000	70000	1.6
B60-2000	3300	10	5200	500	1200	2000	2500	7500	70000	1.6
B60-2400	3900	10	6200	500	1000	2400	3000	8600	70000	1.6
B60-2800	4700	10	7400	500	800	2800	3500	10000	70000	1.6

Type	Dimensions (D type module)										
	A±1.0 (mm)	E±2.0 (mm)	T±1.0 (mm)	B±1.0 (mm)	C±1.0 (mm)	W±1.0 (mm)	G±1.0 (mm)	L±1.0 (mm)	D±5.0 (mm)	H±2.0 (mm)	F±1.0 (mm)
B60-130D	100.0	85.3	23.6	86.0	6.5	40.0	70.0	29.5	7.0	99.0	5.0
B60-140D	100.0	85.3	23.6	86.0	6.5	40.0	70.0	29.5	7.0	99.0	5.0
B60-150D	100.0	85.3	23.6	86.0	6.5	40.0	70.0	29.5	7.0	99.0	5.0
B60-175D	100.0	85.3	23.6	86.0	6.5	40.0	70.0	29.5	7.0	99.0	5.0
B60-210D	100.0	85.3	23.6	86.0	6.5	40.0	70.0	29.5	7.0	99.0	5.0
B60-230D	100.0	85.3	23.6	86.0	6.5	40.0	70.0	29.5	7.0	99.0	5.0
B60-250D	100.0	85.3	23.6	86.0	6.5	40.0	70.0	29.5	7.0	99.0	5.0
B60-275D	100.0	85.3	23.6	86.0	6.5	40.0	70.0	29.5	7.0	99.0	5.0
B60-300D	100.0	85.3	23.6	86.0	6.5	40.0	70.0	29.5	7.0	99.0	5.0
B60-320D	100.0	85.3	23.6	86.0	6.5	40.0	70.0	29.5	7.0	99.0	5.0
B60-350D	100.0	85.3	23.6	86.0	6.5	40.0	70.0	29.5	7.0	99.0	5.0
B60-385D	100.0	85.3	23.6	86.0	6.5	40.0	70.0	29.5	7.0	99.0	5.0
B60-420D	100.0	85.3	23.6	86.0	6.5	40.0	70.0	29.5	7.0	99.0	5.0
B60-460D	100.0	85.3	23.6	86.0	6.5	40.0	70.0	29.5	7.0	99.0	5.0
B60-485D	100.0	85.3	23.6	86.0	6.5	40.0	70.0	29.5	7.0	99.0	5.0
B60-510D	100.0	85.3	23.6	86.0	6.5	40.0	70.0	29.5	7.0	99.0	5.0
B60-550D	100.0	85.3	23.6	86.0	6.5	40.0	70.0	29.5	7.0	99.0	5.0
B60-580D	100.0	85.3	23.6	86.0	6.5	40.0	70.0	29.5	7.0	99.0	5.0
B60-625D	100.0	85.3	23.6	86.0	6.5	40.0	70.0	29.5	7.0	99.0	5.0
B60-680D	100.0	85.3	23.6	86.0	6.5	40.0	70.0	29.5	7.0	99.0	5.0
B60-750D	100.0	85.3	23.6	86.0	6.5	40.0	70.0	29.5	7.0	99.0	5.0
B60-880D	100.0	85.3	23.6	86.0	6.5	40.0	70.0	29.5	7.0	99.0	5.0
B60-900D	100.0	85.3	23.6	86.0	6.5	40.0	70.0	29.5	7.0	99.0	5.0



Type	Dimensions (F type module)										
	A±1.0 (mm)	E±2.0 (mm)	T±1.0 (mm)	B±1.0 (mm)	C±1.0 (mm)	W±1.0 (mm)	G±1.0 (mm)	L±1.0 (mm)	D±5.0 (mm)	H±2.0 (mm)	F±1.0 (mm)
B60-750F	100.0	85.3	44.5	85.0	6.5	40.0	70.0	30.0	7.0	100.0	5.0
B60-880F	100.0	85.3	44.5	85.0	6.5	40.0	70.0	30.0	7.0	100.0	5.0
B60-900F	100.0	85.3	44.5	85.0	6.5	40.0	70.0	30.0	7.0	100.0	5.0
B60-1000F	100.0	85.3	44.5	85.0	6.5	40.0	70.0	30.0	7.0	100.0	5.0
B60-1400F	100.0	85.3	44.5	85.0	6.5	40.0	70.0	30.0	7.0	100.0	5.0
B60-1700F	100.0	85.3	44.5	85.0	6.5	40.0	70.0	30.0	7.0	100.0	5.0
B60-2000F	100.0	85.3	44.5	85.0	6.5	40.0	70.0	30.0	7.0	100.0	5.0
B60-2400F	100.0	85.3	44.5	85.0	6.5	40.0	70.0	30.0	7.0	100.0	5.0
B60-2800F	100.0	85.3	44.5	85.0	6.5	40.0	70.0	30.0	7.0	100.0	5.0

