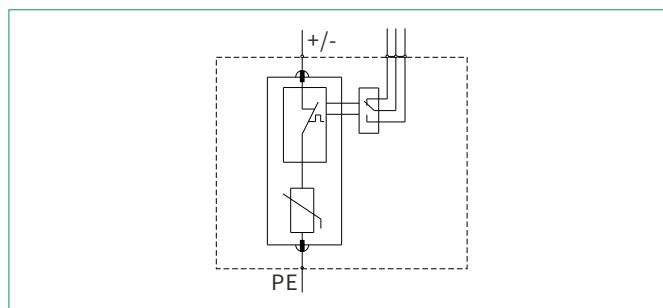
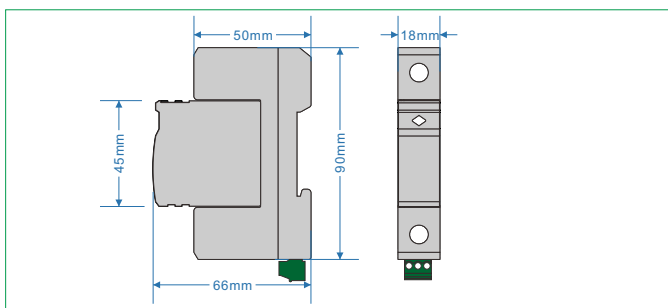


# FV10D/1-\*\*\*PV(S)



- ◆ DC surge protective device used for photovoltaic system.
- ◆ The core parts are metal oxide varistor components with high discharge capacity.
- ◆ With Reliable control thanks to Thermo Dynamic Control disconnecter.
- ◆ Remote signaling contact for control device optional.
- ◆ Fault indication via red mark in the inspection window.
- ◆ 1 poles, I type.



Model No.	FV10D/1-48PV(S)	FV10D/1-96PV(S)	FV10D/1-500PV(S)	FV10D/1-600PV(S)	FV10D/1-800PV(S)	FV10D/1-1000PV(S)
Test class IEC/EN/VDE	Class III/D/ $T_3$					
Type of Network	Photovoltaic system					
Protection Mode	+/- — PE					
Nominal voltage 50(60)Hz $U_n$	48V dc	96V dc	500V dc	600V dc	800V dc	1000V dc
Rated Voltage (Max. Cont. Operating Voltage) $U_{CPV}$	75V dc	125V dc	560V dc	670V dc	825V dc	1060V dc
Max. discharge current (8/20 $\mu$ s) $I_{max}$	20kA					
Nominal discharge current (8/20 $\mu$ s) $I_n$	10kA					
Voltage protective level $U_p$	$\leq 0.3kV$	$\leq 0.6kV$	$\leq 1.8kV$	$\leq 2.0kV$	$\leq 2.8kV$	$\leq 3.2kV$
Response time $t_A$	$\leq 25ns$					
Open circuit voltage $U_{oc}$	20kV					
Recommended back-up fuse	125A					
Isolation resistance	$> 10^2 M\Omega$					
I/O Connections	Multi core wire: 4mm <sup>2</sup> ~25mm <sup>2</sup>					
Mounting	35mm Symmetrical rail (EN50022/DIN46277-3)					
Operation temperature range / humidity / altitude	-40°C~+80°C / 30%~90% / 3000m					
Degree of protection	IP20					
Housing material	UL94 V-0					
Disconnection indicator	Mechanical indicator (Green: OK, Red: replace)					
Remote control contact	Optional					

Port definition of remote control contact	Range of signal access		Recommended wire specification	
	AC	$U_{max} \leq 250V$	Single core wire	Max $\leq 1.5mm^2$
		$I_{max} \leq 0.5A$		
	DC	$U_{max} \leq 60V$	Multi core wire	Max $\leq 1.3mm^2$
		$I_{max} \leq 0.1A$		

Remark: if the model number is without "S", the model is without remote control contact function