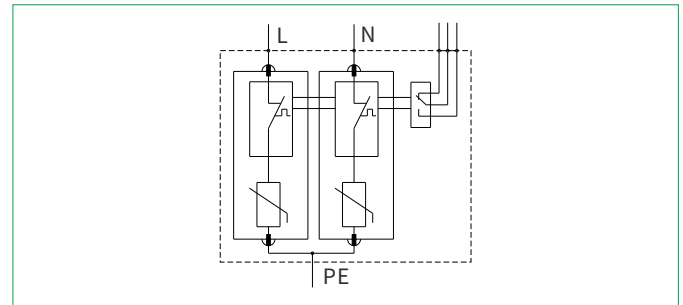
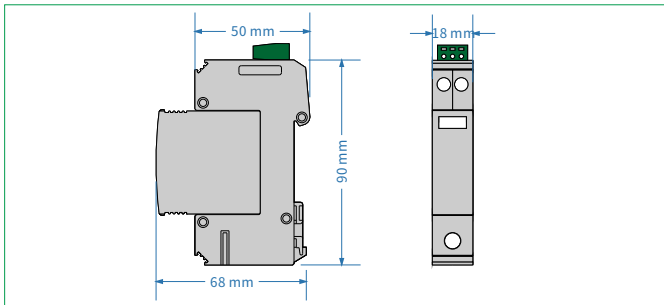


FVC20C/2-*** (S)



- ◆ Narrow size surge protective device special design for saving installation space--- width 9mm/pole.
- ◆ High discharge current--- I_{max} 40kA per pole.
- ◆ Indication window for clear display of SPD status--- each pole with one indication window.
- ◆ Remote controlling function -for your option.
- ◆ Pluggable module--- convenient for maintenance.
- ◆ Protection mode --- L-PE, N-PE.
- ◆ 1 phase, 2 poles.



Model No.	FVC20C/2-150(S)	FVC20C/2-275(S)	FVC20C/2-320(S)	FVC20C/2-385(S)	FVC20C/2-440(S)
Test class IEC/EN/VDE	Class II/C/ <u>T2</u>				
Type of Network	TT, TN				
Protection Mode	L - PE, N - PE				
Nominal voltage 50(60)Hz U _n	110/220V~	220/380V~	220/380V~	220/380V~	220/380V~
Rated Voltage (Max. Cont. Operating Voltage) U _c	150V~	275V~	320V~	385V~	440V~
Max. discharge current (8/20μs) I _{max}	40kA				
Nominal discharge current (8/20μs) I _n	20kA				
Voltage protective level U _p	≤0.7kV	≤1.2kV	≤1.5kV	≤1.8kV	≤2.0kV
Response time t _a	≤25ns				
Recommended back-up fuse	125A				
Isolation resistance	>10 ² MΩ				
I/O Connections	L-N	Multi core wire: 1.5mm ² ~10mm ²			
	PE	Multi core wire: 2.5mm ² ~25mm ²			
Mounting	35mm Symmetrical rail (EN50022/DIN46277-3)				
Operation temperature range / humidity / altitude	-40°C~+80°C / 30%~90% / 3000m				
Degree of protection	IP20				
Housing material	UL94 V-0				
Disconnection indicator	Mechanical indicator (Red: replace)				
Remote control contact	Optional				

Port definition of remote control contact	Range of signal access		Recommended wire specification	
	AC	U _{max} ≤250V	Single core wire	Max ≤1.5mm ²
		I _{max} ≤0.5A		
	DC	U _{max} ≤60V	Multi core wire	Max ≤1.3mm ²
		I _{max} ≤0.1A		

Remark: if the model number is without "S", the model is without remote control contact function