

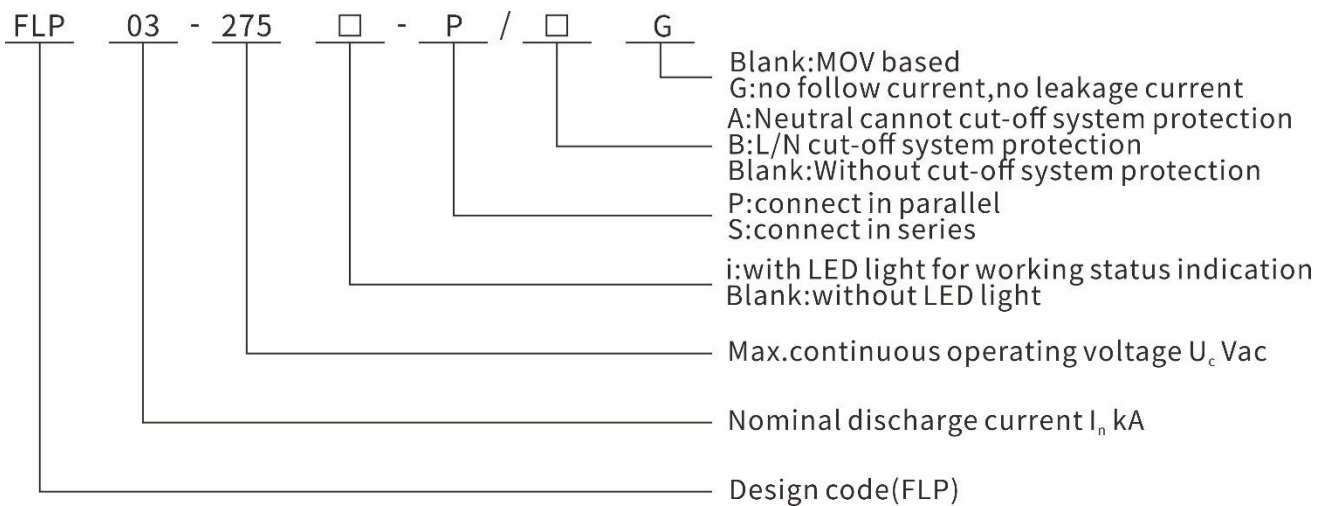
**Surge protective device for LED light**  
**Model No.: FLP03-275-P/AG**

**Version: B-3**

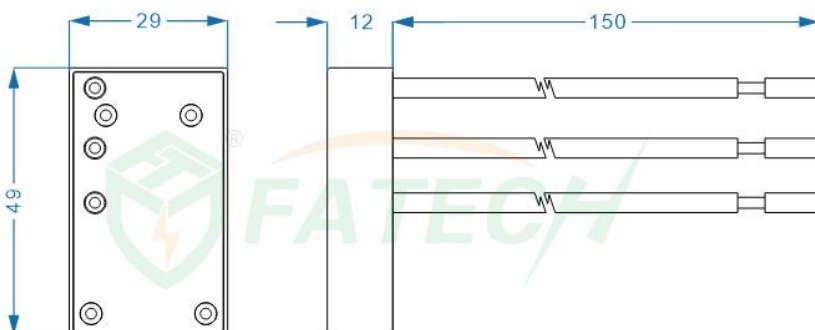


- New designed series connected surge protection module, for LED light.
- specifically for outdoor and commercial LED lighting applications, LED signage and traffic light manufacturers, including roadway lighting, parking garage lighting, wash wall lighting, traffic lighting, flood lighting, digital signage, street lightning, and tunnel lighting.
- I<sub>max</sub> 6kA lightning surge protection.

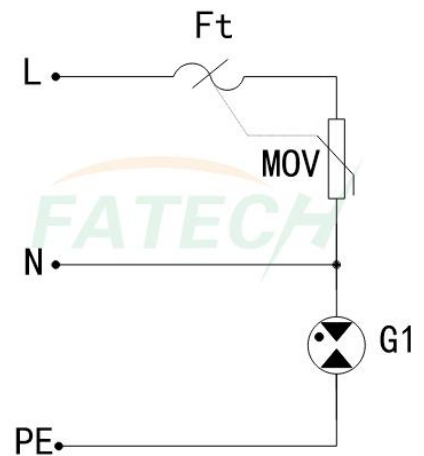
**1. Coding**



**2. Dimension**



**3. Circuit**



**FATECH ELECTRONIC (FOSHAN) CO., LTD.**

Add: Bldg D7, Guangdong New Light Production Base, Luocun, Shishan Town, Nanhai District, Foshan City, Guangdong China.

Tel: +86 757 86718031 Fax: +86 757 83557686

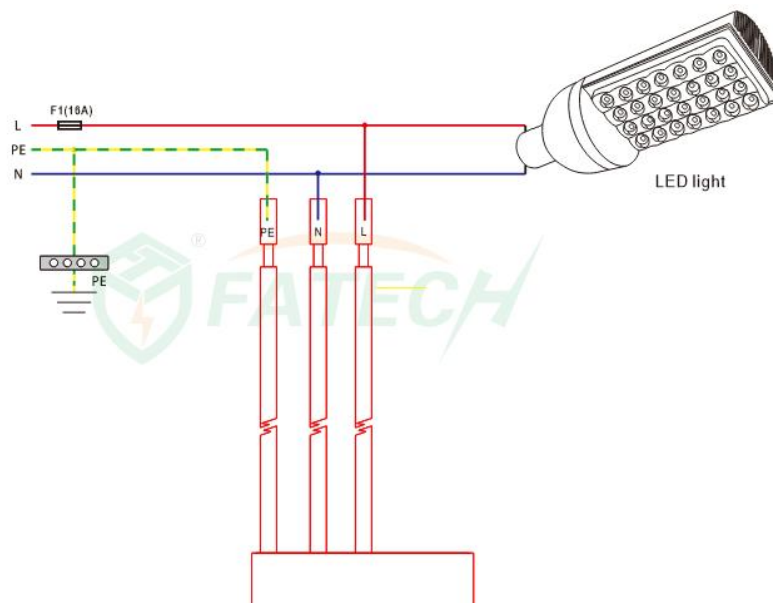
Web: [www.fatech-surge-protection.com](http://www.fatech-surge-protection.com), [www.fatech-spd.cn](http://www.fatech-spd.cn)

Email: [sales@fatech-surge-protection.com](mailto:sales@fatech-surge-protection.com), [sales@fatech-spd.cn](mailto:sales@fatech-spd.cn)

#### 4. Electrical parameters

Model. No.	FLP03-275-P/AG	
SPD protection conforms to EN 61643-11	Type2+3	
SPD installation type conforms to EN 61643-1	ClassII+III	
Protection level conforms to DIN VED 0675-6	C+D	
Type of Network	LED light	
Protection mode	L-N , N-PE ,L-PE	
Nominal Voltage 50(60)Hz U <sub>N</sub>	230 V~	
Maximum continuous operating voltage U <sub>C</sub>	275 V~	
Maximum discharge current (8/20μs) I <sub>max</sub>	6 kA	
Nominal discharge current (8/20μs) I <sub>n</sub>	3 kA	
Voltage protective level U <sub>p</sub>	L-N	≤1.3kV
	L(N)-PE	≤1.5 kV
Open circuit voltage U <sub>oc</sub>	6 kV	
Response time t <sub>A</sub>	L-N	≤25 ns
	N-PE	≤100 ns
Recommended back-up fuse	16 AgL/gG	
Thermal Cut-off Member	YES	
Disconnection indicator	Without	
Degree of protection	IP20	
Housing material	UL94V-0	
Ambient temperature	-40°C ~+80°C	
Altitude	≤2000m (amsl (above mean sea level))	
Permissible humidity	30%~90%	

#### 5. Installation



#### FATECH ELECTRONIC (FOSHAN) CO., LTD.

Add: Bldg D7, Guangdong New Light Production Base, Luocun, Shishan Town, Nanhai District, Foshan City, Guangdong China.

Tel: +86 757 86718031 Fax: +86 757 83557686

Web: [www.fatech-surge-protection.com](http://www.fatech-surge-protection.com), [www.fatech-spd.cn](http://www.fatech-spd.cn)

Email: [sales@fatech-surge-protection.com](mailto:sales@fatech-surge-protection.com), [sales@fatech-spd.cn](mailto:sales@fatech-spd.cn)