

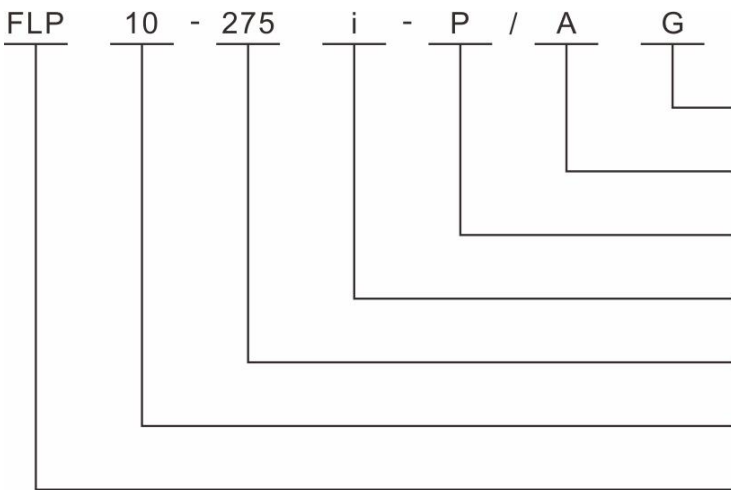
DC Surge protective device for LED light
Model No.: FLP03-320-S/G

Version: B-3



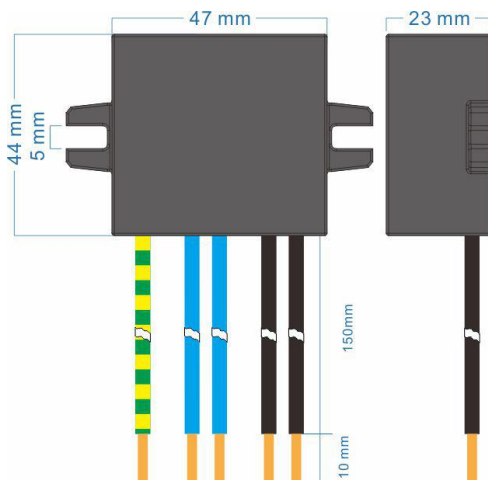
- New designed series connected surge protection module, for LED light.
- specifically for outdoor and commercial LED lighting applications, LED signage and traffic light manufacturers, including roadway lighting, parking garage lighting, wash wall lighting, traffic lighting, flood lighting, digital signage, street lightning, and tunnel lighting.
- I_{max} 6kA lightning surge protection.
- With Metal oxide varistor (MOV) thermal protection.
- Water proof IP66.

1. Coding

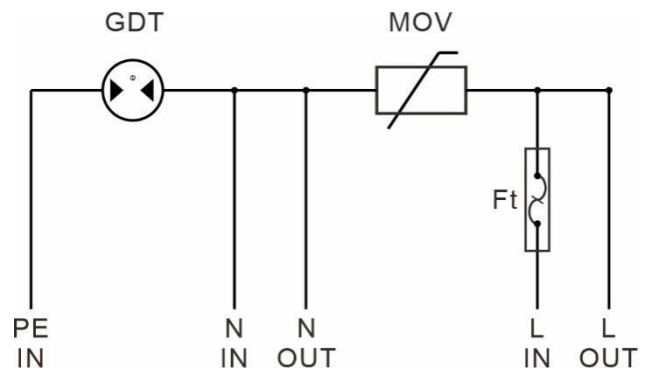


- ┐ Blank: MOV based
- └ G: No follow current, no leakage current
- ┐ A: Neutral cannot cut-off system protection
- └ B: L/N cut-off system protection
- ┐ P: connect in parallel
- └ S: connect in series
- ┐ i: with LED light for working status indication
- └ Blank: without LED
- Max. continuous operating voltage U_c V~
- Nominal discharge current I_n kA
- Design code (FLP)

2. Dimension



3. Circuit



FATECH ELECTRONIC (FOSHAN) CO., LTD.

Add: Bldg D7, Guangdong New Light Production Base, Luocun, Shishan Town, Nanhai District, Foshan City, Guangdong China.

Tel: +86 757 86718031 Fax: +86 757 83557686

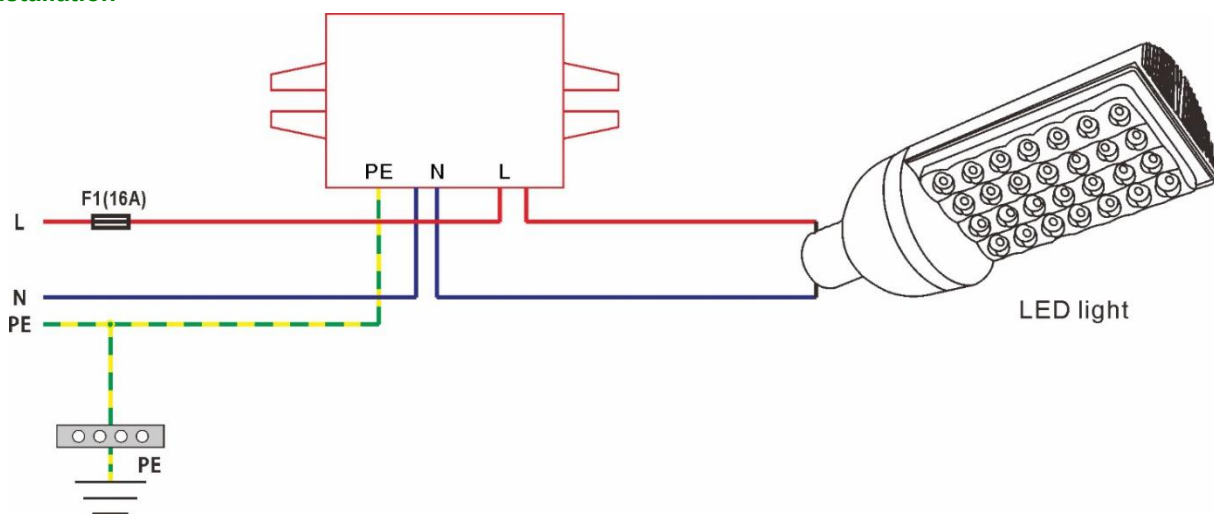
Web: www.fatech-surge-protection.com, www.fatech-spd.cn

Email: sales@fatech-surge-protection.com, sales@fatech-spd.cn

4. Electrical parameters

Model. No.	FLP03-320-S/G	
SPD protection conforms to EN 61643-11	Type2+3	
SPD installation type conforms to EN 61643-1	ClassII+III	
Protection level conforms to DIN VED 0675-6	C+D	
Type of Network	LED street light	
Protection mode	L - N , N - PE , L - PE	
Nominal Voltage 50(60)Hz U_N	230V~	
Maximum continuous operating voltage U_c	320V~	
Maximum discharge current (8/20 μ s) I_{max}	6kA	
Nominal discharge current (8/20 μ s) I_n	3kA	
Voltage protective level U_p	L-N	$\leq 1.3kV$
	N-PE	$\leq 0.6kV$
	L-PE	$\leq 1.5kV$
Open circuit voltage U_{oc}	6kV	
Response time t_A	L-N	$\leq 25ns$
	N-PE	$\leq 100ns$
Recommended back-up fuse	16AgL/gG	
Thermal Cut-off Temperature	150°C	
Disconnection indicator	Without	
Wire length	150MM	
Degree of protection	IP66	
Housing material	UL94V-0	
Ambient temperature	-40°C ~+80°C	
Altitude	$\leq 2000m$ (amsl (above mean sea level))	
Permissible humidity	30%~90%	

5. Installation



FATECH ELECTRONIC (FOSHAN) CO., LTD.

Add: Bldg D7, Guangdong New Light Production Base, Luocun, Shishan Town, Nanhai District, Foshan City, Guangdong China.

Tel: +86 757 86718031 Fax: +86 757 83557686

Web: www.fatech-surge-protection.com, www.fatech-spd.cn

Email: sales@fatech-surge-protection.com, sales@fatech-spd.cn