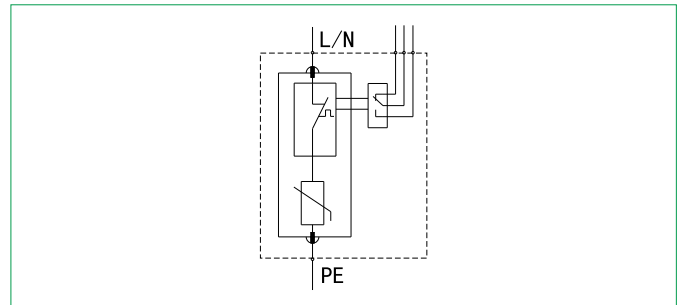
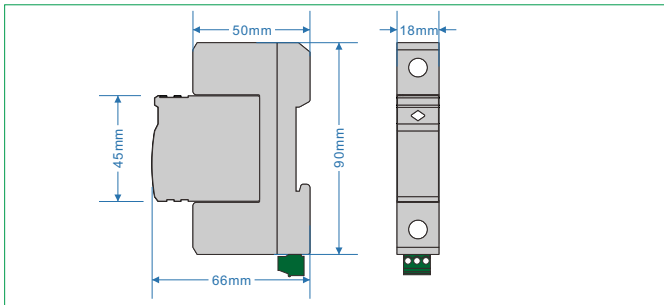


# FV20C/1-\*\*\* (S)



- ◆ Consisting of a base part and MOV pluggable protection modules.
- ◆ For using in the lightning protection zones concept at boundary 1-2.
- ◆ The core parts are metal oxide varistor components with high discharge capacity.
- ◆ Low residual voltage and quick response.
- ◆ Reliable control thanks to Thermo Dynamic Control disconnecter.
- ◆ With remote signaling contact for control device.
- ◆ Fault indication via red mark in the inspection window.
- ◆ Protection mode: L/N-PE.



Model No.	FV20C/1-150 (S)	FV20C/1-275 (S)	FV20C/1-320 (S)	FV20C/1-385 (S)	FV20C/1-440 (S)
Test class IEC/EN/VDE	Class II/C/ $T_2$				
Type of Network	TT, TN, IT				
Protection Mode	L / N - PE				
Nominal voltage 50(60)Hz $U_n$	110V~	220V~	220V~	220V~	220V~
Rated Voltage (Max. Cont. Operating Voltage) $U_c$	150V~	275V~	320V~	385V~	440V~
Max. discharge current (8/20 $\mu$ s) $I_{max}$	40kA				
Nominal discharge current (8/20 $\mu$ s) $I_n$	20kA				
Voltage protective level $U_p$	$\leq 0.7$ kV	$\leq 1.2$ kV	$\leq 1.5$ kV	$\leq 1.8$ kV	$\leq 2.0$ kV
Response time $t_A$	$\leq 25$ ns				
Recommended back-up fuse	125A				
Isolation resistance	$> 10^2$ M $\Omega$				
I/O Connections	Multi core wire: 4mm <sup>2</sup> ~25mm <sup>2</sup>				
Mounting	35mm Symmetrical rail (EN50022/DIN46277-3)				
Operation temperature range / humidity / altitude	-40°C~+80°C / 30%~90% / 3000m				
Degree of protection	IP20				
Housing material	UL94 V-0				
Disconnection indicator	Mechanical indicator (Green: OK, Red: replace)				
Remote control contact	Optional				

Port definition of remote control contact	Range of signal access		Recommended wire specification	
	AC	$U_{max} \leq 250V$	Single core wire	Max $\leq 1.5$ mm <sup>2</sup>
		$I_{max} \leq 0.5A$		
	DC	$U_{max} \leq 60V$	Multi core wire	Max $\leq 1.3$ mm <sup>2</sup>
		$I_{max} \leq 0.1A$		

Remark: if the model number is without "S", the model is without remote control contact function