

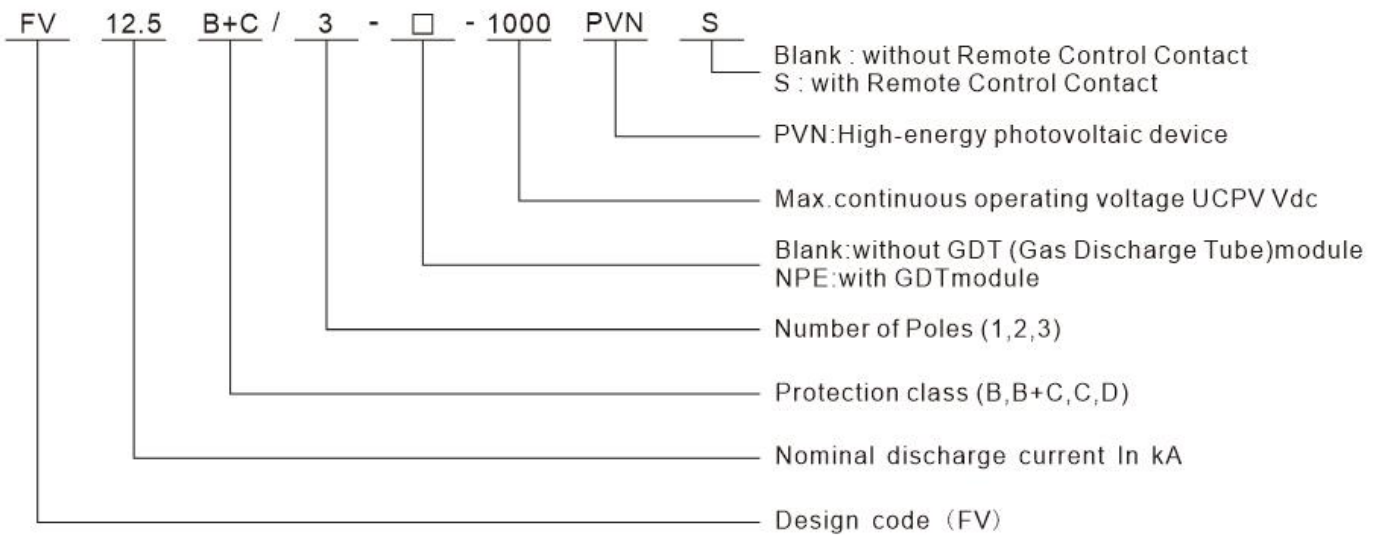
DC Surge protective device for PV system
Model No.: FV12.5B+C/3-1000PVNS

Version: B-3

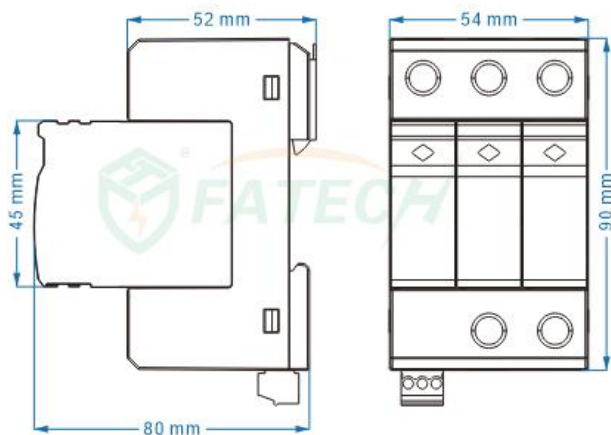


- **DC surge Protective device** specially used for photovoltaic system less than 1000Vdc.
- The core parts are metal oxide varistor components with high discharge capacity.
- With reliable control thanks to Thermo Dynamic Control disconnecter.
- Without remote signaling contact for control device.
- Fault indication via red mark in the inspection window.

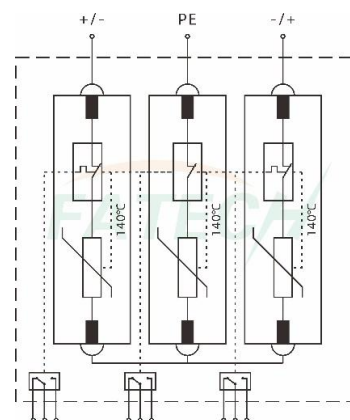
1. Coding



2. Dimension



3. Circuit



4. Electrical parameters

FATECH ELECTRONIC (FOSHAN) CO., LTD.

Add: Bldg D7, Guangdong New Light Production Base, Luocun, Shishan Town, Nanhai District, Foshan City, Guangdong China.

Tel: +86 757 86718031 Fax: +86 757 83557686

Web: www.fatech-surge-protection.com, www.fatech-spd.cn

Email: sales@fatech-surge-protection.com, sales@fatech-spd.cn

Model. No.	FV12.5B+C/3-1000PVNS
SPD protection conforms to EN50539-11/IEC61643-31	Type 1+2
SPD installation type conforms to EN50539-11/IEC61643-31	Class I+II
Protection level conforms to DIN VDE0675-6	B+C
Type of Network	Photovoltaic systems DC side
Protection mode	(+/-)-PE , (-/+)-PE
Nominal Voltage U_N	1000 Vdc
Maximum continuous operating voltage for PV application U_{CPV}	1000 Vdc
Continuous operating current I_{CPV}	<20 μ A
Residual current I_{PE}	\leq 20 μ A DC \leq 500 μ A AC
Standby power consumption P_c	\leq 25 Mva
Nominal discharge current (8/20 μ s) I_n	20 kA
Impuse discharge current (10/350 μ s) I_{imp}	6.25 kA
Total Impuse discharge current (10/350 μ s) I_{total}	12.5 kA
Short-circuit current rating I_{scpv}	1000A
Voltage protection level U_p	\leq 4.75 kV
Isolation resistance R_{isol}	> 1000 M Ω
Response time t_A	\leq 25 ns
Remote control contact	YES
Disconnection indicator	Mechanical indicator (Green: OK, Red: Replace)
Minimum area of connecting cable	6 mm ²
Maximum area of connecting cable	35 mm ²
Installation location	Inside
Mounting type	35mm DIN rail acc. to EN 60715
Color	Gray
Degree of protection	IP20
Housing material	UL94V-0
Ambient temperature	-40°C ~+80°C
Altitude	\leq 2000 m (amsl (above mean sea level))
Permissible humidity	30%~90%

FATECH ELECTRONIC (FOSHAN) CO., LTD.

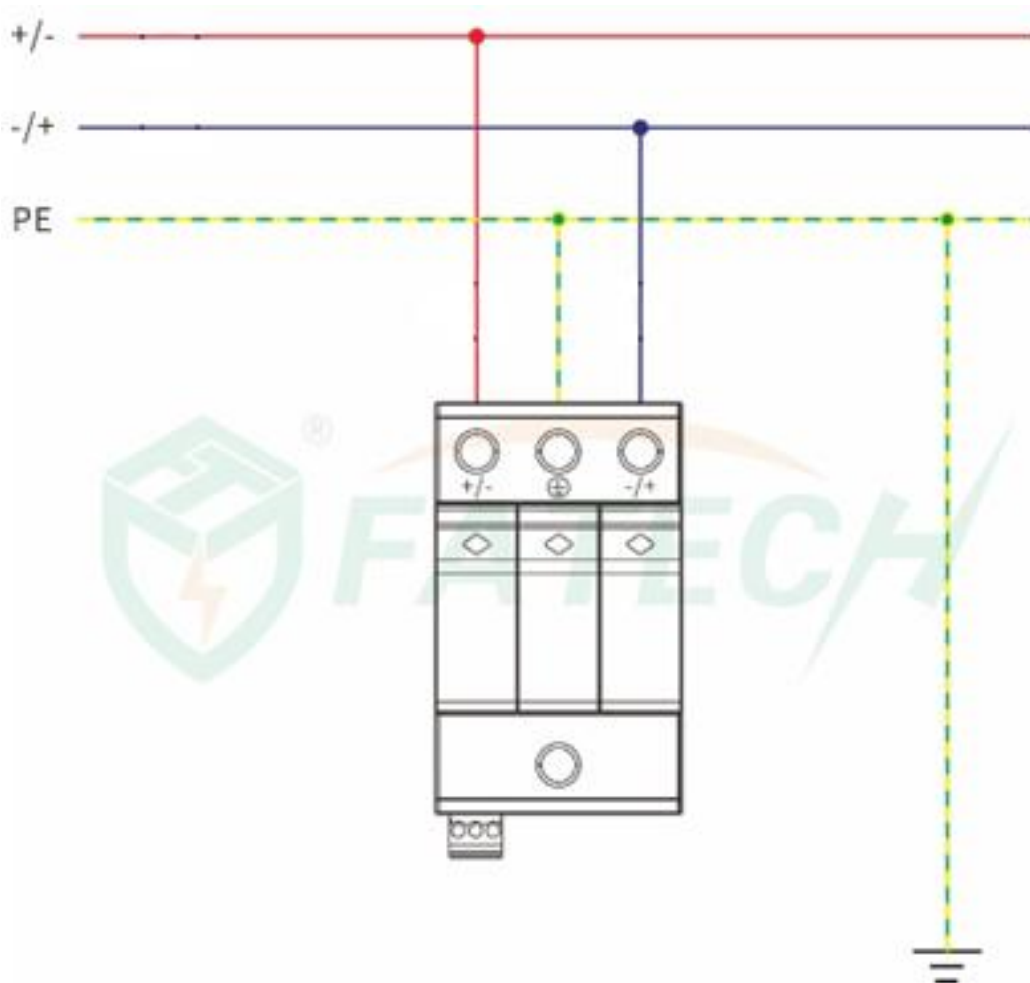
Add: Bldg D7, Guangdong New Light Production Base, Luocun, Shishan Town, Nanhai District, Foshan City, Guangdong China.

Tel: +86 757 86718031 Fax: +86 757 83557686

Web: www.fatech-surge-protection.com, www.fatech-spd.cn

Email: sales@fatech-surge-protection.com, sales@fatech-spd.cn

5. Installation



FATECH ELECTRONIC (FOSHAN) CO., LTD.

Add: Bldg D7, Guangdong New Light Production Base, Luocun, Shishan Town, Nanhai District, Foshan City, Guangdong China.

Tel: +86 757 86718031 Fax: +86 757 83557686

Web: www.fatech-surge-protection.com, www.fatech-spd.cn

Email: sales@fatech-surge-protection.com, sales@fatech-spd.cn