

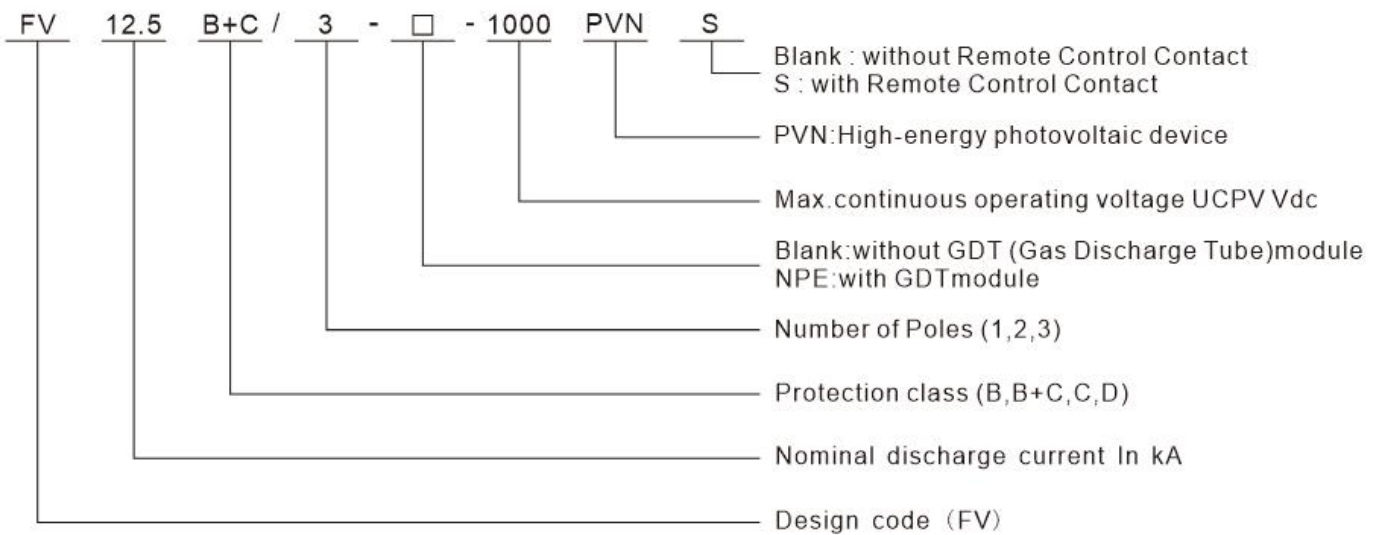
**DC Surge protective device for PV system**  
**Model No.: FV12.5B+C/2+NPE-1000PVNS**

**Version: B-3**

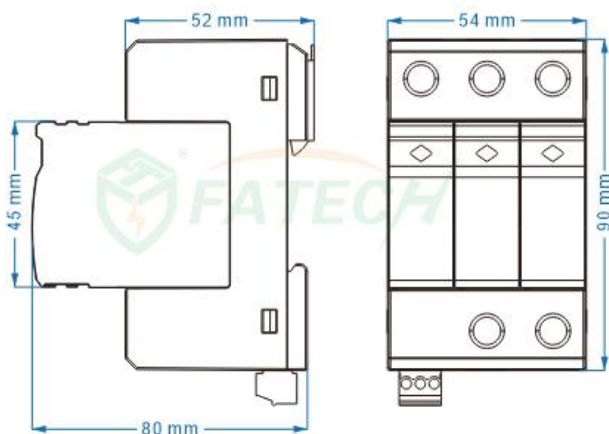


- **DC surge Protective device** specially used for photovoltaic system less than 1000Vdc.
- The core parts are metal oxide vristor components with high discharge capacity.
- With reliable control thanks to Thermo Dynamic Control disconnecter.
- Without remote signaling contact for control device.
- Fault indication via red mark in the inspection window.

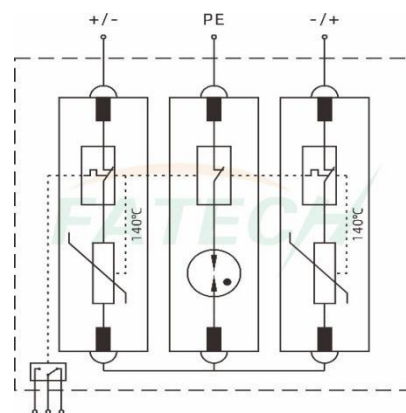
**1.Coding**



**2. Dimension**



**3. Circuit**



**FATECH ELECTRONIC (FOSHAN) CO., LTD.**

Add: Bldg D7, Guangdong New Light Production Base, Luocun, Shishan Town, Nanhai District, Foshan City, Guangdong China.

Tel: +86 757 86718031 Fax: +86 757 83557686

Web: [www.fatech-surge-protection.com](http://www.fatech-surge-protection.com), [www.fatech-spd.cn](http://www.fatech-spd.cn)

Email: [sales@fatech-surge-protection.com](mailto:sales@fatech-surge-protection.com), [sales@fatech-spd.cn](mailto:sales@fatech-spd.cn)

#### 4. Electrical parameters

Model. No.	FV12.5B+C/2+NPE-1000PVNS
SPD protection conforms to EN50539-11/IEC61643-31	Type 1+2
SPD installation type conforms to EN50539-11/IEC61643-31	Class I+II
Protection level conforms to DIN VDE0675-6	B+C
Type of Network	Photovoltaic systems DC side
Protection mode	(+/-)-PE , (-/+)-PE
Nominal Voltage $U_N$	1000 Vdc
Maximum continuous operating voltage for PV application $U_{CPV}$	1000 Vdc(+/-), 725V(+/PE, -/PE)
Continuous operating current $I_{CPV}$	<20 $\mu$ A
Residual current $I_{PE}$	$\leq 20 \mu$ A dc $\leq 500 \mu$ A ac
Standby power consumption $P_C$	$\leq 25$ mVA
Nominal discharge current (8/20 $\mu$ s) $I_n$	20 kA
Impulse discharge current (10/350 $\mu$ s) $I_{imp}$	6.25 kA
Total Impulse discharge current (10/350 $\mu$ s) $I_{total}$	12.5 kA
Voltage protection level $U_p$	$\leq 4.75$ kV(+/-) $\leq 3.5$ kV(+/PE, -/PE)
Isolation resistance $R_{isol}$	> 1000 M $\Omega$
Response time $t_A$	$\leq 25$ ns(+/-) $\leq 100$ ns (+/PE, -/PE)
Remote control contact	YES
Disconnection indicator	Mechanical indicator (Green: OK, Red: Replace)
Minimum area of connecting cable	6 mm <sup>2</sup>
Maximum area of connecting cable	35 mm <sup>2</sup>
Installation location	Inside
Mounting type	35mm DIN rail acc. to EN 60715
Color	Gray
Degree of protection	IP20
Housing material	UL94V-0
Ambient temperature	-40°C ~ +80°C
Altitude	$\leq 2000$ m (amsl (above mean sea level))
Permissible humidity	30%~90%

#### FATECH ELECTRONIC (FOSHAN) CO., LTD.

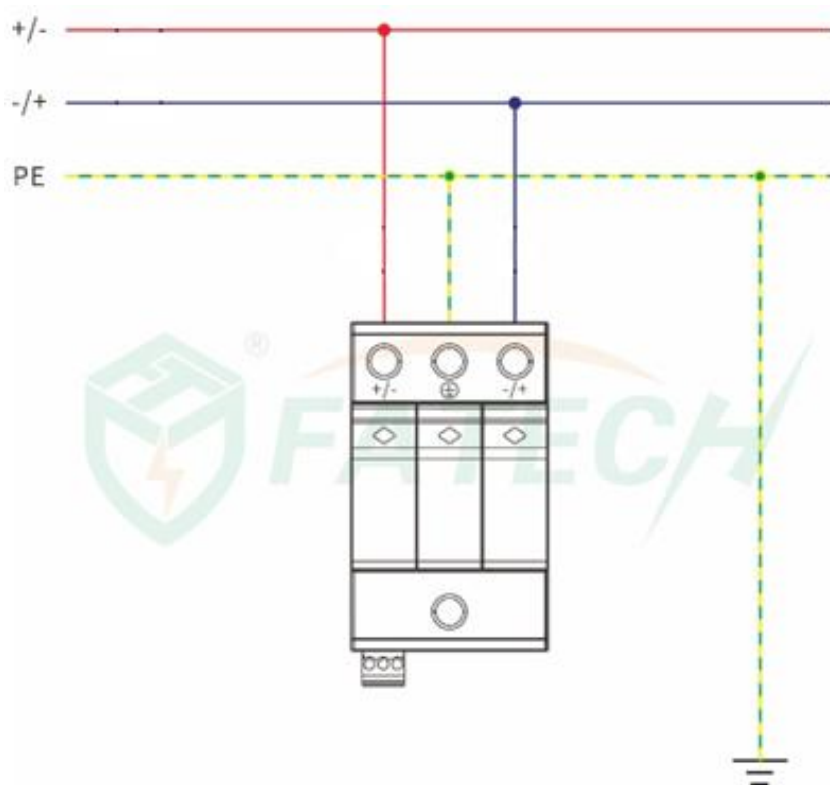
Add: Bldg D7, Guangdong New Light Production Base, Luocun, Shishan Town, Nanhai District, Foshan City, Guangdong China.

Tel: +86 757 86718031 Fax: +86 757 83557686

Web: [www.fatech-surge-protection.com](http://www.fatech-surge-protection.com), [www.fatech-spd.cn](http://www.fatech-spd.cn)

Email: [sales@fatech-surge-protection.com](mailto:sales@fatech-surge-protection.com), [sales@fatech-spd.cn](mailto:sales@fatech-spd.cn)

## 5. Installation



### FATECH ELECTRONIC (FOSHAN) CO., LTD.

Add: Bldg D7, Guangdong New Light Production Base, Luocun, Shishan Town, Nanhai District, Foshan City, Guangdong China.

Tel: +86 757 86718031 Fax: +86 757 83557686

Web: [www.fatech-surge-protection.com](http://www.fatech-surge-protection.com), [www.fatech-spdcn](http://www.fatech-spdcn)

Email: [sales@fatech-surge-protection.com](mailto:sales@fatech-surge-protection.com), [sales@fatech-spdcn](mailto:sales@fatech-spdcn)