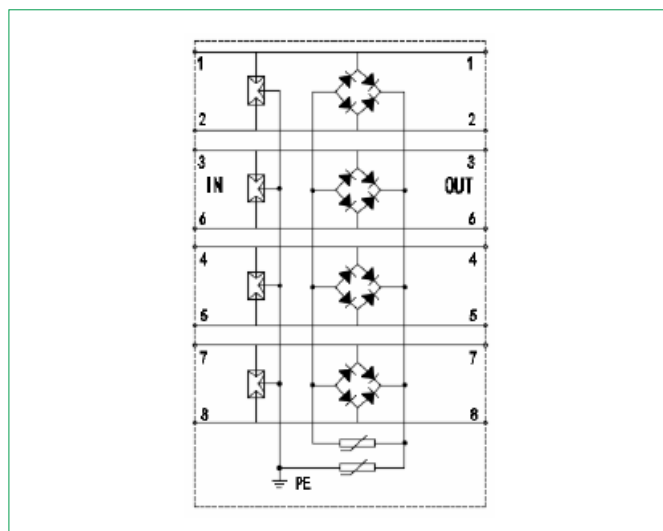
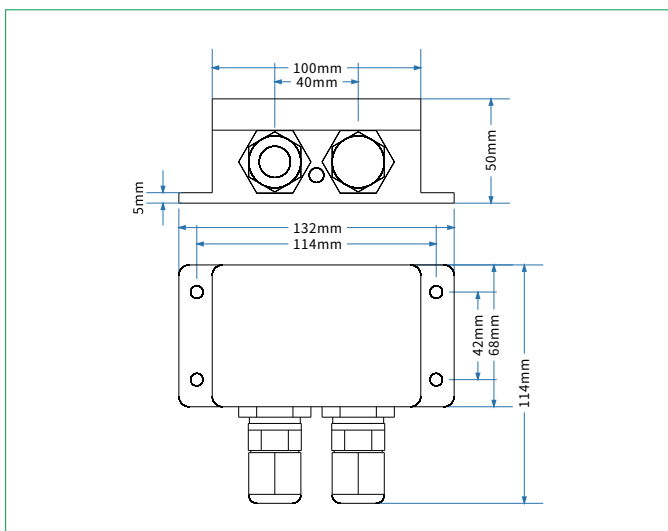


FS-RJ45W/PoE-1000



- ◆ Water-proof RJ45 PoE surge protective device.
- ◆ Adopt power supply + signal surge protection integrated design.
- ◆ Transmission rate: 1000M
- ◆ Rated voltage 5Vdc, 12Vdc, 24Vdc, 48Vdc available.
- ◆ Screw tie up installation, used outdoor.
- ◆ Degree of protection: IP65.



Model No.		FS-RJ45W/PoE-1000	
Line		Power Supply Line	Signal Line
Nominal Working Voltage U_n		48Vdc	5Vdc
Max. cont. Operatating Voltage U_c		64Vdc	6Vdc
Nominal Discharge Current (8/20 μ s) I_n		2kA	2kA
Max. discharge current (8/20 μ s) I_{max}		3kA	3kA
Protection level (8/20 μ s) U_p		$\leq 350V$	$\leq 350V$
Transmission rate		---	1000Mbps
Insertion loss		---	$\leq 0.5dB$
Interface port type		(1,2) ; (3,6) ; (4,5) ; (7,8)	
Interface	IN	RJ45	
	OUT	RJ45	
Shell		Plastic (ABS)	
Dimension		See the drawing	
Installation		Screw tie up	
Cable		CAT6, 8 core 4 twisted-pair	
Environment		Temperature: -40~+85°C, Relative Humidity 30%~90%	
Shell protection level		IP65	