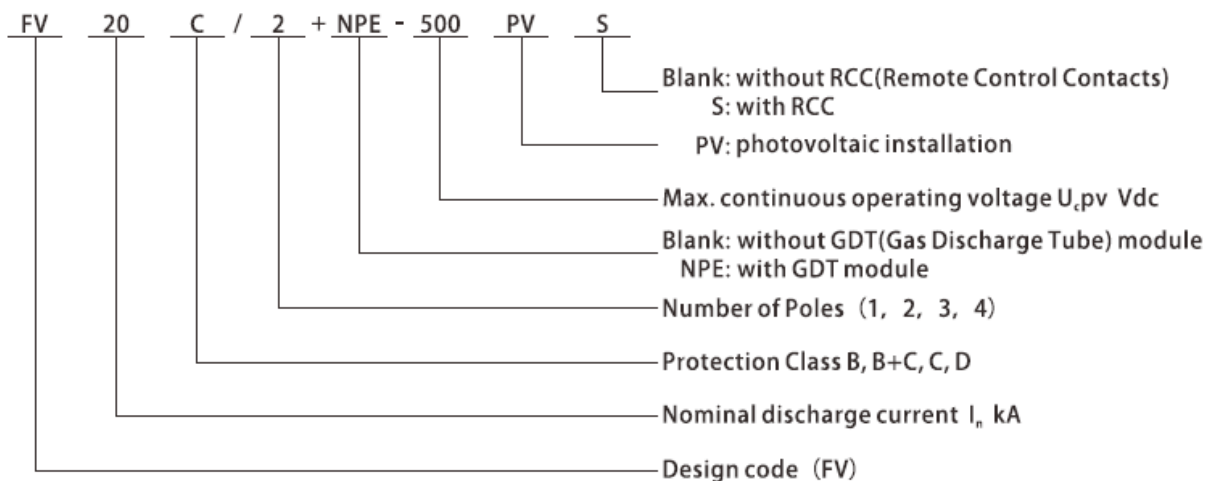


## **I<sub>imp</sub> 25kA DC Surge Protective Device for Photovoltaic System** **Model No.: FV25B/3-600PVS**

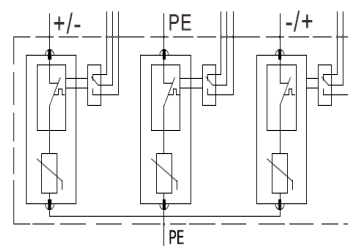
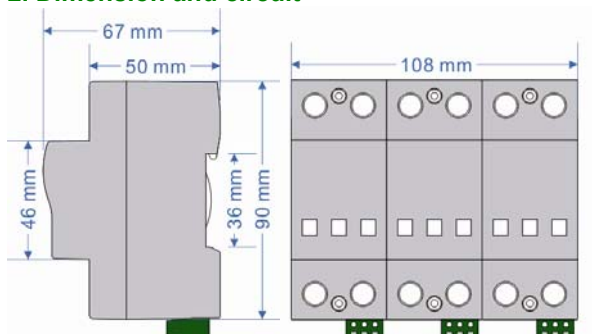


- DC surge protective device specially used for photovoltaic system.
- -The core parts are metal oxide vistor components with high discharge capacity.
- -With Reliable control thanks to Thermo Dynamic Control disconnecter.
- -With remote signaling contact for control device.
- -Fault indication via red mark in the inspection window.
- Type 1/ Class B
- PV system voltage 600Vdc

### 1. Coding



### 2. Dimension and circuit



## **FATECH ELECTRONIC(FOSHAN) CO., LTD.**

Add: Bldg D7, Guangdong New Light Production Base, Luocun, Shishan Town, Nanhai District, Foshan City, Guangdong China.

Tel: +86 757 86718031 Fax: +86 757 83557686

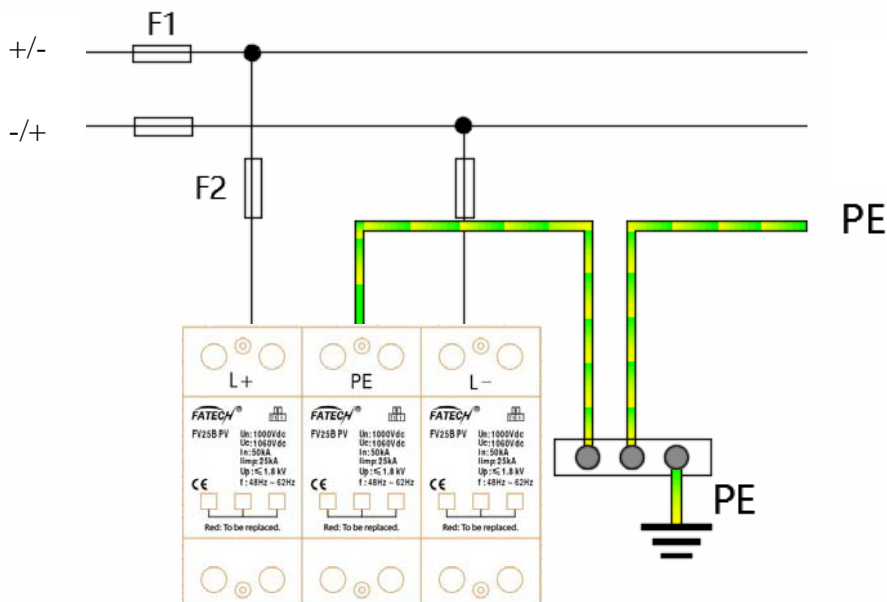
Web: [www.fatech-surge-protection.com](http://www.fatech-surge-protection.com), [www.fatech-spd.cn](http://www.fatech-spd.cn)

Email: [sales@fatech-surge-protection.com](mailto:sales@fatech-surge-protection.com), [sales@fatech-spd.cn](mailto:sales@fatech-spd.cn)

### 3. Technical parameter

Test class according to IEC61643-1:2005	I	
Nominal Voltage	UN	600V DC
Max.continuous d.c. voltage[+/-->PE]/ [+>-]	$U_{c\ pv}$	670V DC
Impulse discharge current (8/20 $\mu$ s)	$I_{imp}$	25kA
Maximum discharge current (8/20 $\mu$ s)	$I_{max}$	100kA
Nominal discharge current (8/20 $\mu$ s)	$I_n$	50kA
Voltage protective level at $I_n$	$U_p$	$\leq 3.4kV$
Isolation resistance	$R_{isol}$	$> 10^2 M\Omega$
Response time	$t_A$	$\leq 25ns$
I/O Connections	By screw terminal: 10-35mm <sup>2</sup> By connection bus	
Mounting	Symmetrical rail (EN50022/DIN46277-3)	
Operation temperature range	-40°C~+85°C	
Degree of protection	IP20	
Housing material	UL94V0	
Disconnection indicator	Mechanical indicator(Red: Replace)	
Remote control contact	Yes	
Color	Gray	
I/O Connections	By screw terminal: 10-35mm <sup>2</sup> , By connection bus	
Mounting	Symmetrical rail (EN50022/DIN46277-3)	

### 4. Installation instruction



### FATECH ELECTRONIC(FOSHAN) CO., LTD.

Add: Bldg D7, Guangdong New Light Production Base, Luocun, Shishan Town, Nanhai District, Foshan City, Guangdong China.

Tel: +86 757 86718031 Fax: +86 757 83557686

Web: [www.fatech-surge-protection.com](http://www.fatech-surge-protection.com), [www.fatech-spd.cn](http://www.fatech-spd.cn)

Email: [sales@fatech-surge-protection.com](mailto:sales@fatech-surge-protection.com), [sales@fatech-spd.cn](mailto:sales@fatech-spd.cn)