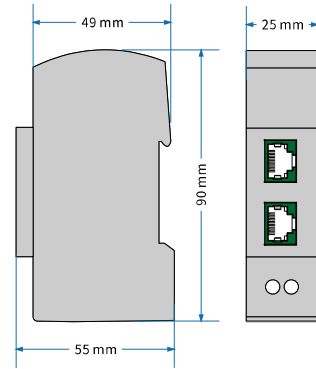
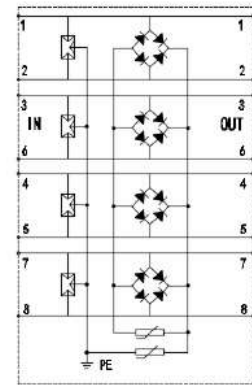


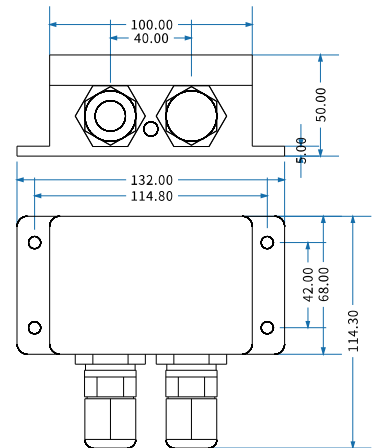
# DIN-Rail 1000M RJ45 PoE Surge Protective Device



Model No.		FS-RJ45D/PoE-1000	
Type of Network	Network signal transmission system		
Line	Power Supply Line	Signal Line	
Nominal Working Voltage $U_n$	48Vdc	5Vdc	
Max. cont. Operating Voltage $U_c$	64Vdc	6Vdc	
Nominal Discharge Current (8/20 $\mu$ s) $I_n$	2kA	2kA	
Max. discharge current (8/20 $\mu$ s) $I_{max}$	3kA	3kA	
Protection level (@2kA 8/20 $\mu$ s) $U_p$	L-L	$\leq 600V$	$\leq 600V$
	L-PE	$\leq 350V$	$\leq 350V$
Transmission rate	---	1000Mbit/s	
Insertion loss	---	$\leq 0.5$ Mbit/s	
Interface port type	RJ45:1-2,3-6,4-5,7-8		
Shell	Flammable PC		
Installation	35mm DIN Rail		
Operation temperature range / humidity / altitude	-40 $^{\circ}$ C~+80 $^{\circ}$ C / 30%~90% / 3000m		
Degree of protection	IP20		



# Water-proof RJ45 PoE Surge Protective Device



Model No.		FS-RJ45W/PoE-1000	
Line	Power Supply Line	Signal Line	
Nominal Working Voltage $U_n$	48Vdc	5Vdc	
Max. cont. Operating Voltage $U_c$	64Vdc	6Vdc	
Nominal Discharge Current (8/20 $\mu$ s) $I_n$	2kA	2kA	
Max. discharge current (8/20 $\mu$ s) $I_{max}$	3kA	3kA	
Protection level (8/20 $\mu$ s,5kA) $U_p$	$\leq 350V$	$\leq 350V$	
Transmission rate	---	100Mbps	
Insertion loss	---	$\leq 0.5$ dB	
Interface port type	RJ45:1-2,3-6,4-5,7-8		
Shell	Plastic (ABS)		
Dimension	See the drawing		
Installation	Screw tie up		
Cable	CAT6, 8 core 4 twisted-pair		
Environment	Temperature: -40~+85 $^{\circ}$ C, Relative Humidity 30%~90%		
Shell protection level	IP65		

